

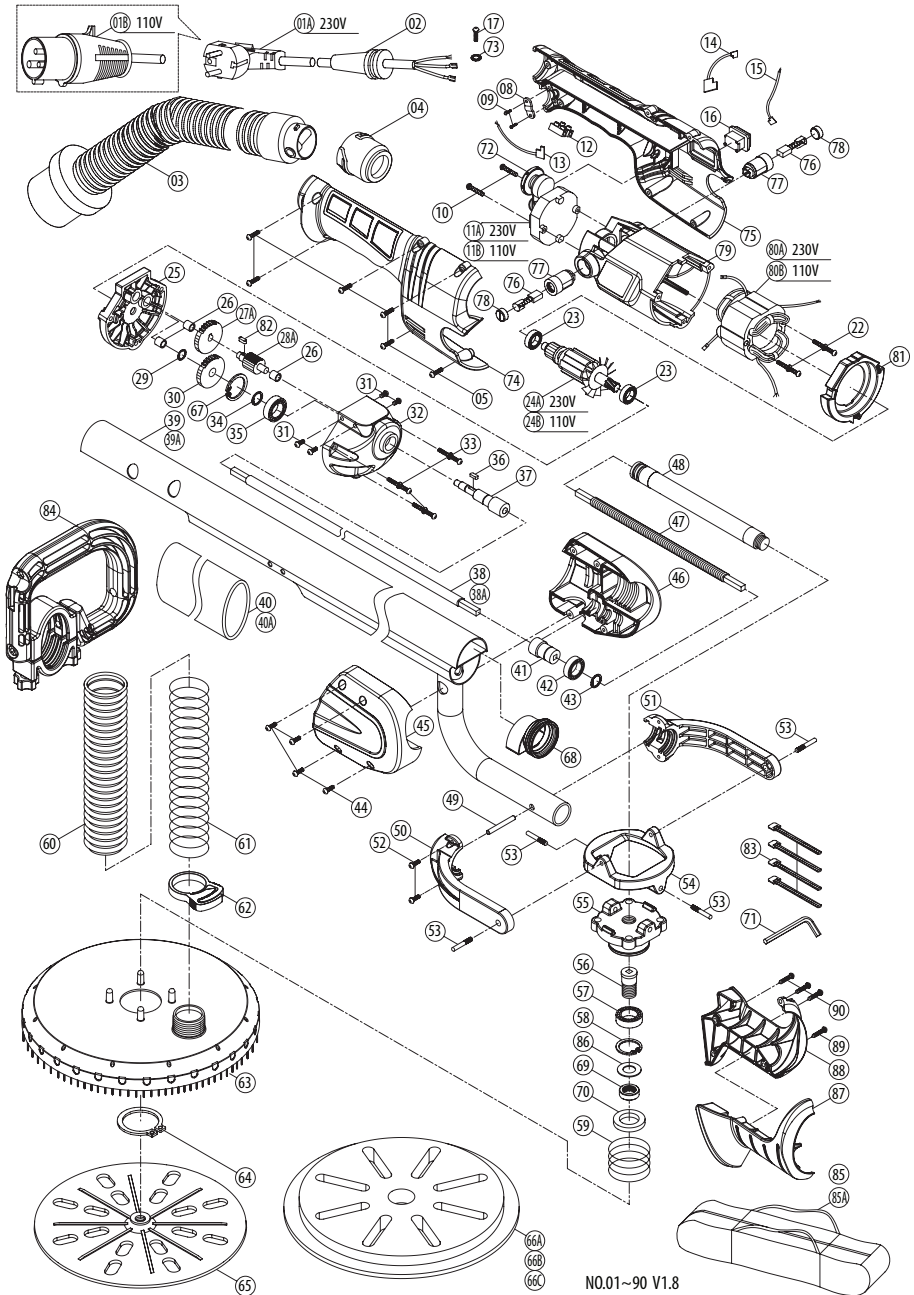
MIRKA

Miro 955[®] & 955[®]-S

1.5 m • 1.0 m



EXPLODED VIEW



NO.01~90 V1.8

MIRO 955 PARTS LIST

NO.	Parts Name	QTY	NO.	Parts Name	QTY
1A.)	POWER SUPPLY CABLE VDE - 1.0 x 3C x 4.6M	1	47.)	SECONDARY DRIVE SHAFT 320mm	1
1B.)	POWER SUPPLY CABLE UK - 1.0 x 3C x 4.6M	1	48.)	DRIVE SHAFT COVER	1
2.)	CORD ARMOR	1	49.)	HOLDING PIN Ø6 x 39	1
3.)	VACUUM EXTENSION HOSE 4M	1	50.)	RIGHT SANDER BRACKET	1
4.)	QUICK RELEASE HOSE CONNECTOR	1	51.)	LEFT SANDER BRACKET	1
5.)	SCREW M4 x 16	6	52.)	SCREW M4 x 16	2
6.-7.)	N/A	-	53.)	SCREW M5	4
8.)	CABLE CLIP	1	54.)	PIVOT BASE	1
9.)	SCREW M4 x 14	2	55.)	PIVOT CONNECTING BRACKET	1
10.)	SCREW M4 x 25	2	56.)	CONNECTING SPINDLE	1
11A.)	SPEED CONTROL+ SOFT START (220V)	1	57.)	BALL BEARING 6002-2RSH	1
11B.)	SPEED CONTROL+ SOFT START (110V)	1	58.)	EXTERNAL CIRCLIP R-32	1
12.)	WIRE CONNECTOR	2/12	59.)	SPRING Ø2 x Ø45 x Ø49 x 40L x 4T	1
13.)	WIRE LEADER	1	60.)	VACUUM HOSE	1
14.)	WIRE LEADER	1	61.)	SPRING Ø1 x Ø30 x Ø32 x 363L x 30T	1
15.)	WIRE LEADER	1	62.)	PLASTIC CLIP	1
16.)	MOTOR SWITCH	1	63.)	SANDING PLATE COVER	1
17.)	SCREW M4 x 8	1	64.)	INTERNAL CIRCLIP S-40	1
18.-21.)	N/A	-	65.)	SANDING PLATE BASE	1
22.)	STATOR SCREW M4 x 55	2	66A.)	VELCRO SPONGE PAD Interface 225 mm 8 + 1 holes Medium 15.5mm	1
23.)	BALL BEARING 608-2RU	2	66B.)	VELCRO SPONGE PAD Interface 225 mm 8 + 1 holes Hard 17.5mm	1
24A.)	ARMATURE (220V) M0.65 x 9T	1	66C.)	VELCRO SPONGE PAD Interface 225 mm 8 + 1 holes Medium 22.5mm	1
24B.)	ARMATURE (110V) M0.65 x 9T	1	67.)	EXTERNAL CIRCLIP R-30	1
25.)	GEAR PLATE	1	68.)	DUST GUIDE	1
26.)	BUSHING Ø6 x Ø10 x 8	3	69.)	SHAFT RACE M14 x Ø20 x 6.5	1
27A.)	INTERMEDIATE GEAR(round keyway) M0.6 x 44T	1	70.)	RADIAL SHAFT SEAL Ø20 x Ø32 x 5	1
28A.)	INTERMEDIATE GEAR PINION(round keyway) M0.8 x 11T	1	71.)	WRENCH M6	1
29.)	INTERNAL CIRCLIP S-8	1	72.)	THUMB WHEEL	1
30.)	OUTPUT GEAR M0.8 x 41T	1	73.)	SUN WASHER M5	1
31.)	SCREW M5 x 10	4	74.)	RIGHT HANDLE COVER	1
32.)	GEAR CASE	1	75.)	LEFT HANDLE COVER	1
33.)	SCREW W/ WASHER M4 x 35	3	76.)	CARBON BRUSH	2
34.)	INTERNAL CIRCLIP S-10	1	77.)	CARBON BRUSH HOLDER	2
35.)	BALL BEARING 6200-LLU	1	78.)	BRUSH CAP	2
36.)	WOODRUFF KEY 3 x 3 x 8	1	79.)	MOTOR HOUSING	1
37.)	SPINDLE	1	80A.)	STATOR (220V)	1
38.)	N/A	-	80B.)	STATOR (110V)	1
38A.)	FIRST DRIVE SHAFT-LONG 704mm	1	81.)	FAN BAFFLE	1
39.)	N/A	-	82.)	PARALLEL KEY 3 x 3 x 6	1
39A.)	EXTENSION COLUMN-LONG	1	83.)	VELCRO STRAPS	4
40.)	N/A	-	84.)	BAIL HANDLE	1
40A.)	FOAM HANDLE GRIP 253mm	1	85.)	N/A	-
41.)	SHAFT CONNECTOR	1	85A.)	CARRY BAG	1
42.)	BALL BEARING 6001-VV	1	86.)	FELT WASHER Ø12.8 x Ø24 x 1	1
43.)	INTERNAL CIRCLIP S-12	1	87.)	RIGHT HOSE SUPPORT	1
44.)	SCREW M4 x 20	4	88.)	LEFT HOSE SUPPORT	1
45.)	RIGHT DRIVE COVER	1	89.)	SCREW M4 x 14	3
46.)	LEFT DRIVE COVER	1	90.)	SCREW M4 x 12	1

MIRO 955-S PARTS LIST

NO.	Parts Name	Q'TY	NO.	Parts Name	Q'TY
1A.)	POWER SUPPLY CABLE VDE - 1.0 x 3C x 4.6M	1	47.)	SECONDARY DRIVE SHAFT 320mm	1
1B.)	POWER SUPPLY CABLE UK - 1.0 x 3C x 4.6M	1	48.)	DRIVE SHAFT COVER	1
2.)	CORD ARMOR	1	49.)	HOLDING PIN Ø6 x 39	1
3.)	VACUUM EXTENSION HOSE 4M	1	50.)	RIGHT SANDER BRACKET	1
4.)	QUICK RELEASE HOSE CONNECTOR	1	51.)	LEFT SANDER BRACKET	1
5.)	SCREW M4 x 16	6	52.)	SCREW M4 x 16	2
6.-7.)	N/A	-	53.)	SCREW M5	4
8.)	CABLE CLIP	1	54.)	PIVOT BASE	1
9.)	SCREW M4 x 14	2	55.)	PIVOT CONNECTING BRACKET	1
10.)	SCREW M4 x 25	2	56.)	CONNECTING SPINDLE	1
11A.)	SPEED CONTROL+ SOFT START (220V)	1	57.)	BALL BEARING 6002-2RSH	1
11B.)	SPEED CONTROL+ SOFT START (110V)	1	58.)	EXTERNAL CIRCLIP R-32	1
12.)	WIRE CONNECTOR	2/12	59.)	SPRING Ø2 x Ø45 x Ø49 x 40L x 4T	1
13.)	WIRE LEADER	1	60.)	VACUUM HOSE	1
14.)	WIRE LEADER	1	61.)	SPRING Ø1 x Ø30 x Ø32 x 363L x 30T	1
15.)	WIRE LEADER	1	62.)	PLASTIC CLIP	1
16.)	MOTOR SWITCH	1	63.)	SANDING PLATE COVER	1
17.)	SCREW M4 x 8	1	64.)	INTERNAL CIRCLIP S-40	1
18.-21.)	N/A	-	65.)	SANDING PLATE BASE	1
22.)	STATOR SCREW M4 x 55	2	66A.)	VELCRO SPONGE PAD Interface 225 mm 8 + 1 holes Medium 15.5mm	1
23.)	BALL BEARING 608-2RU	2	66B.)	VELCRO SPONGE PAD Interface 225 mm 8 + 1 holes Hard 17.5mm	1
24A.)	ARMATURE(220V) M0.65 x 9T	1	66C.)	VELCRO SPONGE PAD Interface 225 mm 8 + 1 holes Medium 22.5mm	1
24B.)	ARMATURE (110V) M0.65 x 9T	1	67.)	EXTERNAL CIRCLIP R-30	1
25.)	GEAR PLATE	1	68.)	DUST GUIDE	1
26.)	BUSHING Ø6 x Ø10 x 8	3	69.)	SHAFT RACE M14 x Ø20 x 6.5	1
27A.)	INTERMEDIATE GEAR(round keyway) M0.6 x 44T	1	70.)	RADIAL SHAFT SEAL Ø20 x Ø32 x 5	1
28A.)	INTERMEDIATE GEAR PINION(round keyway) M0.8 x 11T	1	71.)	WRENCH M6	1
29.)	INTERNAL CIRCLIP S-8	1	72.)	THUMB WHEEL	1
30.)	OUTPUT GEAR M0.8 x 41T	1	73.)	SUN WASHER M5	1
31.)	SCREW M5 x 10	4	74.)	RIGHT HANDLE COVER	1
32.)	GEAR CASE	1	75.)	LEFT HANDLE COVER	1
33.)	SCREW W/ WASHER M4 x 35	3	76.)	CARBON BRUSH	2
34.)	INTERNAL CIRCLIP S-10	1	77.)	CARBON BRUSH HOLDER	2
35.)	BALL BEARING 6200-LLU	1	78.)	BRUSH CAP	2
36.)	WOODRUFF KEY 3 x 3 x 8	1	79.)	MOTOR HOUSING	1
37.)	SPINDLE	1	80A.)	STATOR (220V)	1
38.)	FIRST DRIVE SHAFT-SHORT 254mm	1	80B.)	STATOR (110V)	1
38A.)	N/A	-	81.)	FAN BAFFLE	1
39.)	EXTENSION COLUMN-SHORT	1	82.)	PARALLEL KEY 3 x 3 x 6	1
39A.)	N/A	-	83.)	VELCRO STRAPS	4
40.)	FOAM HANDLE GRIP 130mm	1	84.)	BAIL HANDLE	1
40A.)	N/A	-	85.)	CARRY BAG	1
41.)	SHAFT CONNECTOR	1	85A.)	N/A	-
42.)	BALL BEARING 6001-VV	1	86.)	FELT WASHER Ø12.8 x Ø24 x 1	1
43.)	INTERNAL CIRCLIP S-12	1	87.)	RIGHT HOSE SUPPORT	1
44.)	SCREW M4 x 20	4	88.)	LEFT HOSE SUPPORT	1
45.)	RIGHT DRIVE COVER	1	89.)	SCREW M4 x 14	3
46.)	LEFT DRIVE COVER	1	90.)	SCREW M4 x 12	1