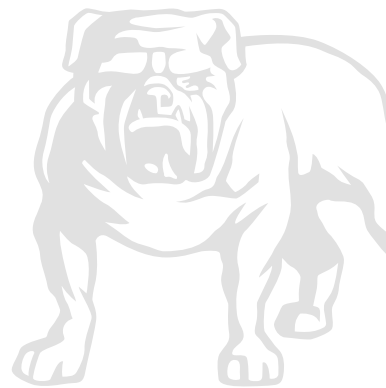


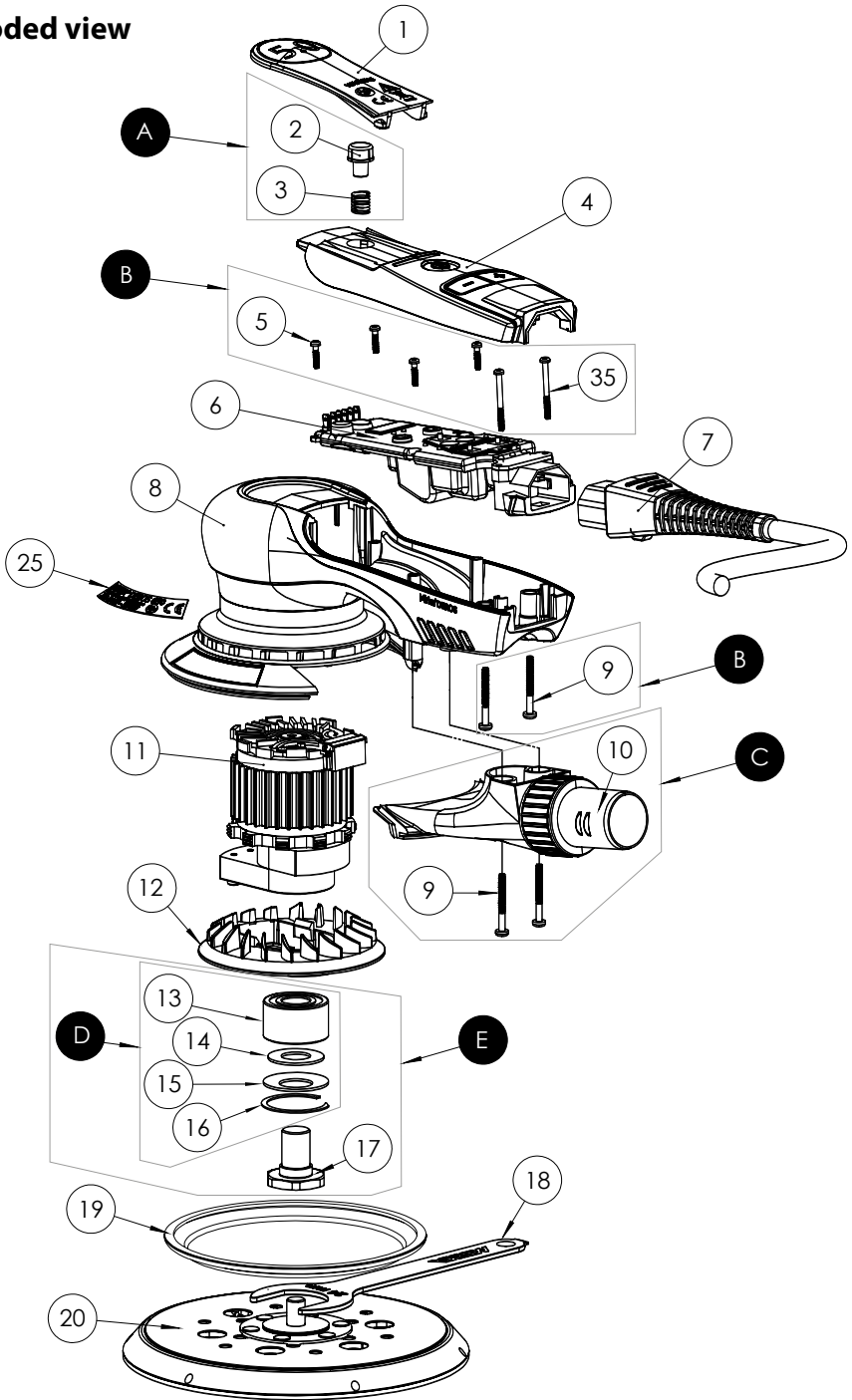
MIRKA

Mirka® DEROS

125 mm (5") & 150 mm (6")



Exploded view



Parts list – kits

Mirka code	Item	Description	Kit	Quantity
MIE6520211		Start button kit	A	
	2	Start button		1
	3	Start button spring		1
MIE6520511		Screw kit	B	
	5	Screws ¹⁾		4
	9	Housing screws ²⁾		2
	35	Screws ¹⁾		2
MIE6521011		Swivel exhaust kit	C	
	9	Housing screws ³⁾		2
	10	Swivel exhaust		1
8995690011		Spindle bearing kit	D	
	13	Double row bearing		1
	14	Felt washer		1
	15	Washer		1
	16	Retaining ring		1
8995690141		Spindle & bearing assembly	E	
	13	Double row bearing		1
	14	Felt washer		1
	15	Washer		1
	16	Retaining ring		1
	17	Spindle 5/16"		1
8995690101		Balancing screw kit	F	
		Screws		5
		Nut		3
		Hex key		1
MIE6522511	25	Type label kit EU (550, 625, 650, 680)	G	40
MIE6522511CN	25	Type label kit CN (625, 650)	G	20

¹⁾ Tightening torque 0,6 Nm ²⁾ Tightening torque 1,4 Nm ³⁾ Tightening torque 1,5 Nm

Spareparts & accessories on next page.

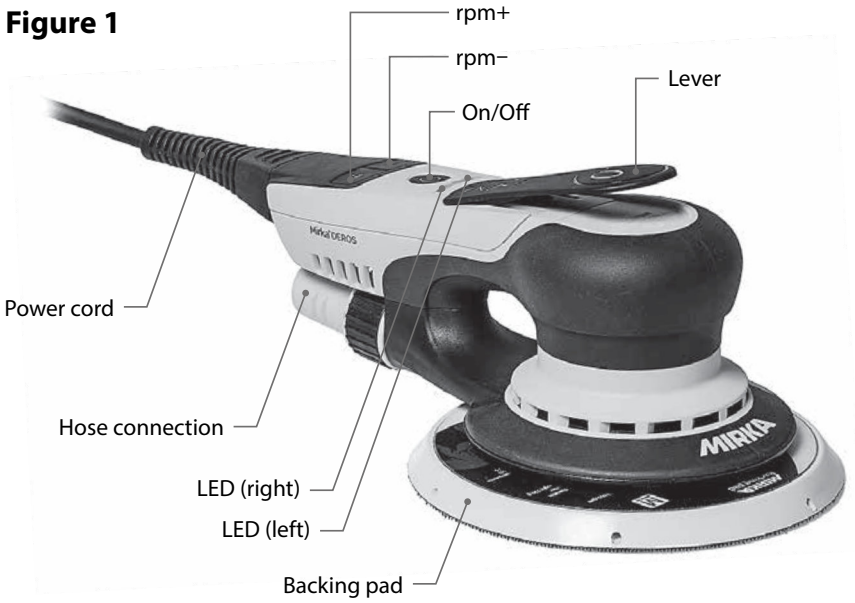
Electrical tool must be serviced by a qualified repair person and in accordance with national requirements
NOTE! Repairs done by non-authorized repairer will breach the Mirka warranty

Parts list – spareparts & accessories

Mirka code	Item	Description	Kit	Quantity
MIE6210111	1	Lever 2,5 mm (150 mm)		1
MIE6510111	1	Lever 5,0 mm (125 & 150 mm)		1
MIE6810111	1	Lever 8,0 mm (150 mm)		1
MIE6510411	4	Cover plate		1
MIE6510611	6	Speed controller*		1
MIE6516011	7	Mains cable 4,3 m ce 230v		1
MIE6517011	7	Mains cable 4,3 m ce 230v uk		1
MIE6517411	7	Mains cable 4,3 m ce 230 v cn		1
MIE6520811	8	Housing		1
MIE5521111	11	Motor 5,0 mm/100 g pad (125 mm) ⁴⁾		1
MIE6221111	11	Motor 2,5 mm/130 g pad (150 mm) ⁴⁾		1
MIE6521111	11	Motor 5,0 mm/130 g pad (150 mm) ⁴⁾		1
MIE6821111	11	Motor 8,0 mm/130 g pad (150 mm) ⁴⁾		1
MIE65111B1	11-B	Ground wire		1
MIE5511211	12	Fan 5,0 mm/100 g pad (125 mm)		1
MIE6211211	12	Fan 2,5 mm/130 g pad (150 mm)		1
MIE6511211	12	Fan 5,0 mm/130 g pad (150 mm)		1
MIE6811211	12	Fan 8,0 mm/130 g pad (150 mm)		1
8995604121	18	Pad wrench 24 mm for 125/150 mm		1
8995603211	19	Break seal		1
8292502011	20	Backing pad net 125 mm 5" 5/16" 28H medium 100 g		1
8292502511	20	Backing pad net 125 mm 5" 5/16" 28H medium 130 g		1
8292605011	20	Backing pad net 150 mm 6" 5/16" 48H medium 130 g		1

* Spare parts only available to authorized repairers ⁴⁾ Tightening torque 35 Nm

Figure 1



Pad medium*	Code	550CV	625CV	650CV	680CV	5650CV
125 mm (5"), 100 g	8292502011	X				
125 mm (5"), 130 g	8292502511					X
150 mm (6"), 130 g	8292605011		X	X	X	X

* Soft and hard pad variants available as accessories