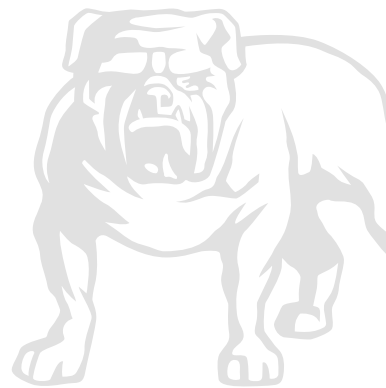


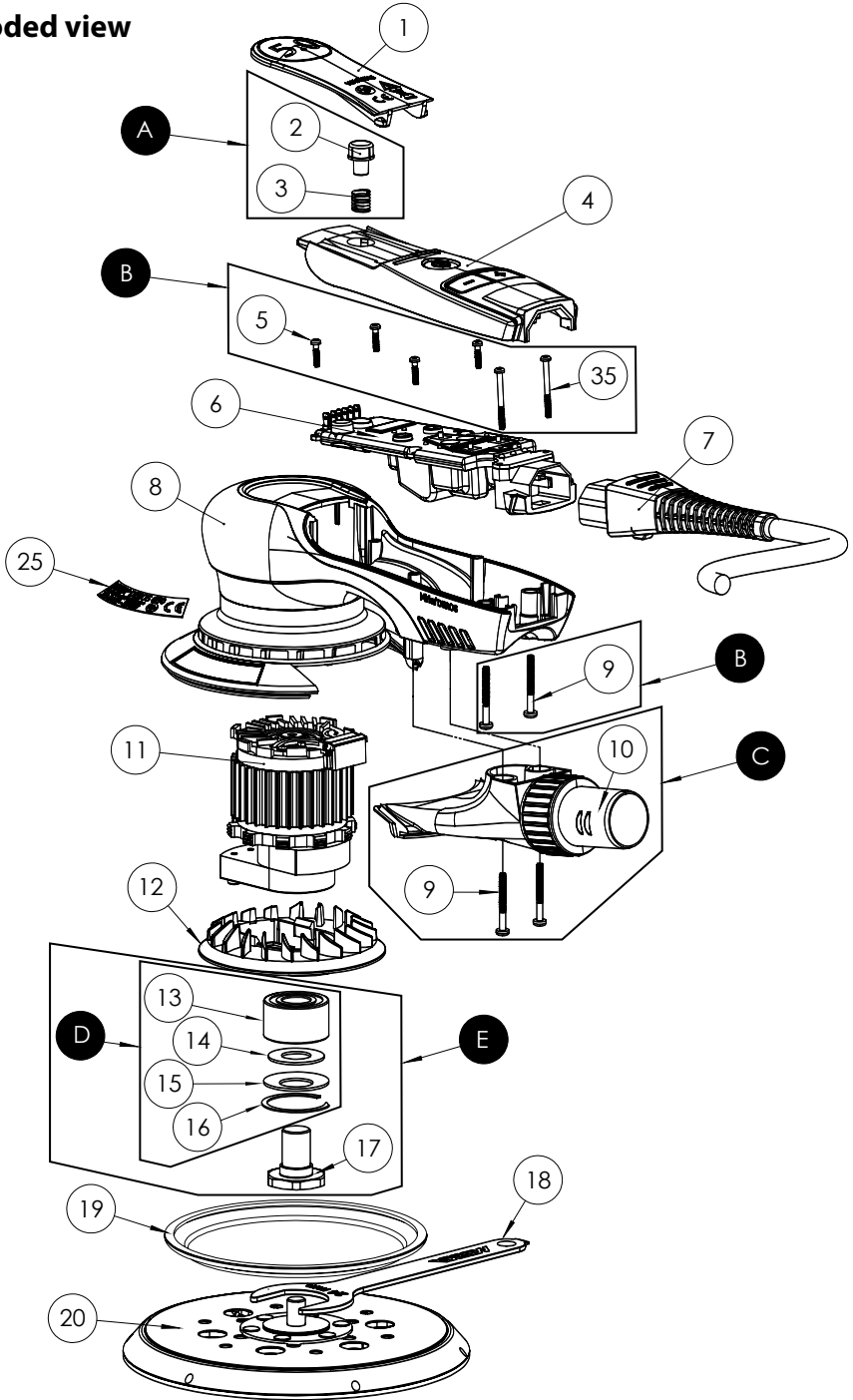
MIRKA

Mirka® DEROS

125 mm (5") & 150 mm (6")



Exploded view



Parts list – kits

Mirka code	Item	Description	Quantity	Kit
MIE6520211		Start button kit		A
	2	Start button	1	
	3	Start button spring	1	
MIE6520511		Screw kit		B
	5	Screws ¹⁾	4	
	9	Housing screws ²⁾	2	
	35	Screws ¹⁾	2	
MIE6521011		Swivel exhaust kit		C
	9	Housing screws ³⁾	2	
	10	Swivel exhaust	1	
8995690011		Spindle bearing kit		D
	13	Double row bearing	1	
	14	Felt washer	1	
	15	Washer	1	
	16	Retaining ring	1	
8995690141		Spindle & Bearing assembly		E
	13	Double row bearing	1	
	14	Felt washer	1	
	15	Washer	1	
	16	Retaining ring	1	
	17	Spindle 5/16"	1	
MIE6522511US	25	Type label kit (550, 625, 650, 680)	40	
8995690101		Balancing screw kit		
		Screws	5	
		Nut	3	
		Hex key	1	

¹⁾ Tightening torque 0,6 Nm ²⁾ Tightening torque 1,4 Nm ³⁾ Tightening torque 1,5 Nm

Spareparts & accessories on next page.

Electrical tool must be serviced by a qualified repair person and in accordance with national requirements.

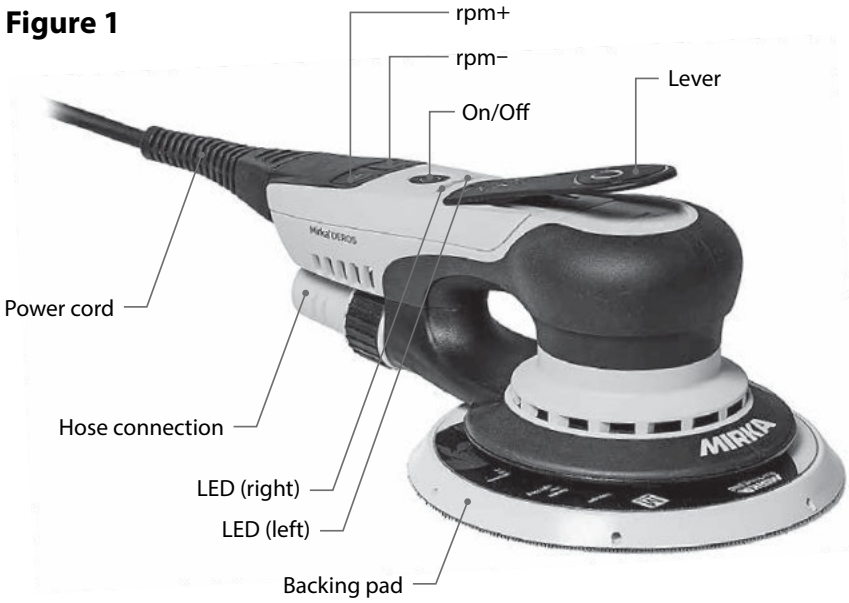
NOTE! Repairs done by non-authorized repairer will breach the Mirka warranty.

Parts list – spare parts & accessories

Mirka code	Item	Description	Quantity	Kit
MIE6210111	1	Lever 2,5 mm (150 mm)	1	
MIE6510111	1	Lever 5,0 mm (125 & 150 mm)	1	
MIE6810111	1	Lever 8,0 mm (150 mm)	1	
	2	Start button	1	A
	3	Start button spring	1	A
MIE6510411	4	Cover plate	1	
	5	Screws	4	B
MIE6560611	6	Speed controller*	1	
MIE6517211	7	Mains cable US 4,3 m, 100–120 V	1	
MIE6517311	7	Mains cable UK 4,3 m, 100–120 V	1	
MIE6520811	8	Housing	1	
	9	Housing screws	2, 2	B, C
	10	Swivel exhaust	1	C
MIE5561111	11	Motor 5,0 mm/100 g pad (125 mm) ⁴⁾ *	1	
MIE6261111	11	Motor 2,5 mm/130 g pad (150 mm) ⁴⁾ *	1	
MIE6561111	11	Motor 5,0 mm/130 g pad (150 mm) ⁴⁾ *	1	
MIE65111B1	11-B	Ground wire	1	
MIE5511211	12	Fan 5,0 mm/100 g pad (125 mm)	1	
MIE6211211	12	Fan 2,5 mm/130 g pad (150 mm)	1	
MIE6511211	12	Fan 5,0 mm/130 g pad (150 mm)	1	
MIE6811211	12	Fan 8,0 mm/130 g pad (150 mm)	1	
	13	Double row bearing	1	D, E
	14	Felt washer	1	D, E
	15	Washer	1	D, E
	16	Retaining ring	1	D, E
8995603201	17	Spindle 5/16"	1	E
8995604121	18	Pad wrench 24 mm for 125/150 mm	1	
8995603211	19	Brake seal	1	
8292502011	20	Backing pad Net 125 mm 5" 5/16" 28H Medium 100 g	1	
8292502511	20	Backing pad Net 125 mm 5" 5/16" 28H Medium 130 g	1	
8292605011	20	Backing pad Net 150 mm 6" 5/16" 48H Medium 130 g	1	
	25	Type label US	1	X
	35	Screws	2	B

* Spare parts only available to authorized repairers. 4) Tightening torque 35 Nm

Figure 1



Pad medium*	Code	550CV	625CV	650CV	680CV	5650CV
125 mm (5"), 100 g	8292502011	X				
125 mm (5"), 130 g	8292502511					X
150 mm (6"), 130 g	8292605011		X	X	X	X

* Soft and hard pad variants available as accessories.